



MIXING

MIX-AS

FLOATING DOWNDRAFT MIXER



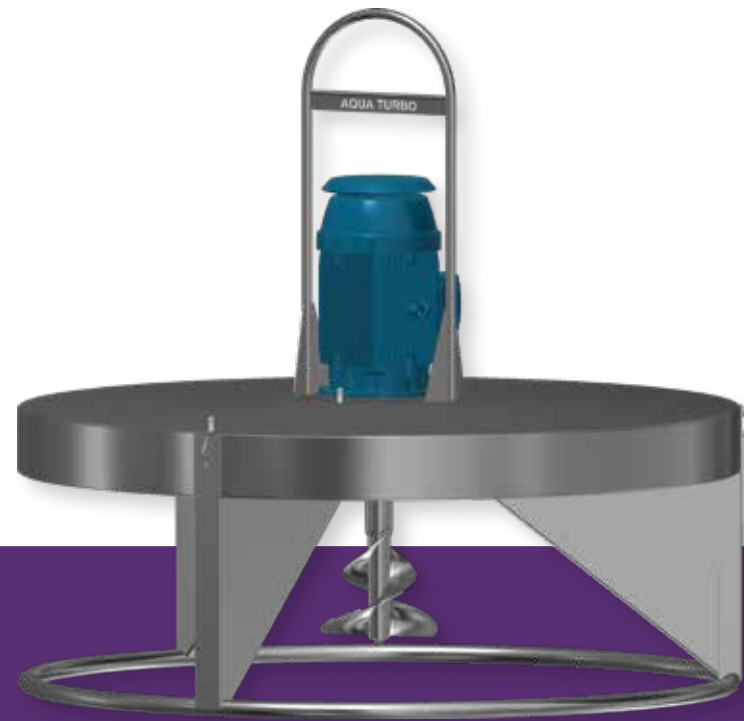
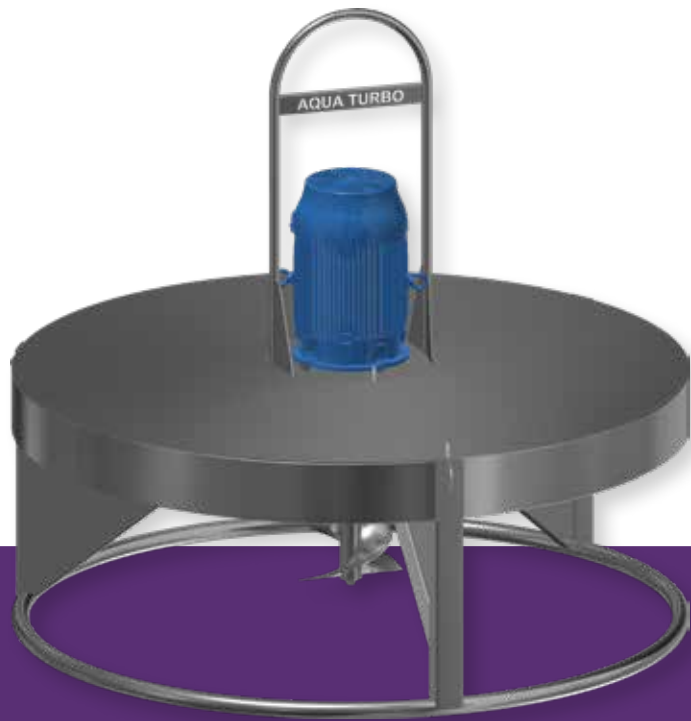
SFA
enviro

PROVIDE INTENSIVE RADIAL,
SUB-SURFACE MIXING PATTERN
FOR VARIOUS PROCESS
REQUIREMENTS
ADAPTABLE TO MOST TANK
CONFIGURATIONS

Aquaturbo

MAIN CHARACTERISTICS

Open, two-bladed helical impeller providing intensive radial, sub-surface mixing pattern with minimal surface disturbance and extremely low power to volume performance



ADVANTAGES

GENERAL-PURPOSE MIXER ADAPTABLE TO MOST TANK CONFIGURATIONS PLUS APPLICATIONS AND EASILY POSITIONED FOR VARIOUS PROCESS REQUIREMENTS

SIMPLE, ROBUST, AND RELIABLE

NON-CLOGGING, NO SHEERING ACTION IMPELLER

VIRTUALLY ZERO SURFACE TURBULENCE AND NO AEROSOLS

NO O₂ TRANSFER AND EASY TO INSTALL AND REMOVE

COMPONENTS

- Turbulent 3D radial mixing pattern
- 1.5 - 55kW Motor Range
- 4 + 6-Pole Speeds, Direct Drive Motor
- AISI 304/316 or other SS

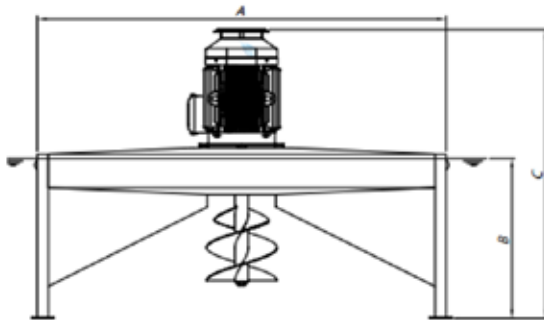
OPTIONS

- Float Mounted only
- Vertical Operation only
- One x Surface Drive
- Fixed or Variable Water Levels



RANGE

- 2 - 75 HP
- 4 + 6 -Pole Speeds, direct drive
- Standard motor
- AISI 304 /316 or special SS



APPLICATIONS

- General mixing of lagoons, bassins + tanks
- Activated-sludge processes
- Extreme water temperature variations
- Dentrification + SBR

Model MIX - AS	HP	Total Height (A)	Submerged Height (B)	Float Diameter (C)	Weight (lbs)
Series 30 - 1800RPM					
0075-30	1	33	19	40	195
0110-30	1,5	33	19	49	225
0150-30	2	34	20	49	245
0220-30	3	39	20	59	345
0400-30	5	40	21	59	380
0550-30	7,5	42	21	59	445
0750-30	10	44	23	59	455
1100-30	15	48	23	79	785
1500-30	20	50	24	79	790
1850-30	25	56	26	79	870
2200-30	30	58	27	79	940
3000-30	40	61	28	79	1040
Series 20 - 1200RPM					
0220-20	3	46	24	59	480
0300-20	4	46	25	59	515
0400-20	5	46	25	59	578
0550-20	7,5	49	26	79	740
0750-20	10	53	27	79	870
1100-20	15	57	28	91	990
1500-20	20	61	33	91	1080
1850-20	25	60	32	91	1445
2200-20	30	60	32	91	1515
3000-20	40	66	35	91	1685
3700-20	50	67	36	118	2030
4500-20	60	73	39	118	2445
Series 15 - 900RPM					
0550-15	7,5	50	28	79	880
0750-15	10	56	30	79	1000
1100-15	15	57	31	91	1150
1500-15	20	63	33	91	1200
1850-15	25	65	34	91	1290
2200-15	30	68	37	91	1320
3000-15	40	69	39	118	1450
3700-15	50	75	41	118	1980
4500-15	60	81	43	118	2620
5500-15	75	82	44	118	2640
7500-15	100	106	60	118	3422

All values are indicative. Aquasystems International N.V. reserves the right to adjust these values at any time.

A STEP AHEAD IN WATER TECHNOLOGY

sfa-enviro.com

 [@sfa_enviro](https://twitter.com/sfa_enviro)

