



**2001H Series**  
**Peristaltic Chemical Feed Pump**

# Installation and Operation Manual



## 2001H Series

Peristaltic Chemical Feed Pump



March 2012

**Flomotion Systems, Inc.**  
165 Creekside Drive, Suite 112  
Buffalo, NY 14228-2103  
info@flomotionsystems.com  
Toll Free: (800) 909-3569  
Tel: (716) 691-3941  
Fax: (716) 691-1253

**TABLE OF CONTENTS**

**1.0 - SYSTEM OVERVIEW.....4**

1.1 SAFETY.....4

1.2 WARRANTY.....4

1.3 RECEIVING.....5

1.4 CUSTOMER MODIFICATION.....5

1.5 INFORMATION FOR RETURNING PUMPS .....5

**2.0 – 2001H SERIES PUMP AND PUMPHEAD.....6**

2.1 TUBING, SPINDLE AND COVER INSTALLATION.....7

2.2 MOUNTING PUMP ON GEARBOX, INSTALLATION OF COLLET.....8

2.3 PUMP MOUNTING AND COLLET INSTALLATION PROCEDURE.....9

2.4 TUBE AND ROLLER INSTALLATION.....10

2.5 TUBING & CONNECTIONS.....16

**3.0 – 2001H MOTOR & GEARBOX.....18**

3.1 MOTOR SPECIFICATIONS.....18

3.3 GEARHEAD SPECIFICATIONS.....18

**4.0 – 2001H DRIVE CONTROLLER.....19**

4.1 OPERATION AND WIRING.....19

4.2 PROGRAMMING .....19

4.3 MANUAL SPEED / AUTO SPEED / RESTART TOGGLE SWITCH.....19

**5.0 - 2001 SERIES TUBING RUPTURE DETECTOR.....20**

RUPTURE DETECTOR SYSTEM OVERVIEW.....20

5.1 ALARM CAUSES.....20

5.2 WHAT TO DO IN AN ALARM CONDITION.....20

5.3 RESETTING THE ALARM.....20

5.4 RESUMING SERVICE.....20

5.5 INTERFACING TO THE 2001H AC TECH SMVECTOR CONTROLLER.....21

5.6 CALIBRATION.....21

## 1.0 - System Overview

The 2001H Series Chemical Feed Pump consists of a controller, motor, gearbox and peristaltic pump.



Model 2001H  
with wall mount controller.



Model 2001H  
with pump-mounted controller

### 1.1 Safety

In the interests of safety, this pump and the tubing selected should only be used by competent, suitably trained personnel after they have read and understood this manual, and considered any hazard involved. Any person who is involved in the installation or maintenance of this equipment should be fully competent to carry out the work.

***Maintenance and repair should be performed by qualified personnel only. Make sure that no voltage is applied while work is being carried out on the pump or motor. The motor must be secured against accidental start up.***

### 1.2 Warranty

Flomotion Systems, Inc. warrants the 2001 Series pumps to be free of defects in material and workmanship for a period of eighteen months from the date of sale to the user, or two years from the date of shipment, whichever ever occurs first. An MC Series control, or any component contained therein, which under normal use becomes defective within the stated warranty time period, shall be returned to Flomotion Systems, Inc., freight prepaid, for examination (contact Flomotion Systems, Inc. for authorization prior to returning any product). Flomotion Systems, Inc. reserves the right to make the final determination as to the validity of a warranty claim, and sole obligation is to repair or replace only components, which have been rendered defective due to faulty material or workmanship. No warranty claim will be accepted for components which have been damaged due to mishandling, improper installation, unauthorized repair and/or alteration of the product, operation in excess of design specifications or other misuse, or improper maintenance. Flomotion Systems, Inc. makes no warranty that its products are compatible with any other equipment, or to any specific application, to which they may be applied and shall not be held liable for any other consequential damage or injury arising from the use of its products. This warranty is in lieu of all other warranties, expressed or implied. No other person, firm or corporation is authorized to assume, for Flomotion Systems, Inc., any other liability in connection with the demonstration or sale of its products.

### **1.3 Receiving**

Inspect all cartons for damage, which may have occurred during shipping. Carefully unpack equipment and inspect thoroughly for damage or shortage. Report any damage to carrier and/or shortages to supplier. All major components and connections should be examined for damage and tightness, with special attention given to PC boards, plugs, knobs and switches.

### **1.4 Customer Modification**

Flomotion Systems, Inc., its sales representatives and distributors, welcome the opportunity to assist our customers in applying our products. Many customizing options are available to aid in this function. Flomotion Systems, Inc. cannot assume responsibility for any modifications not authorized by its engineering department.

### **1.5 Information for Returning Pumps**

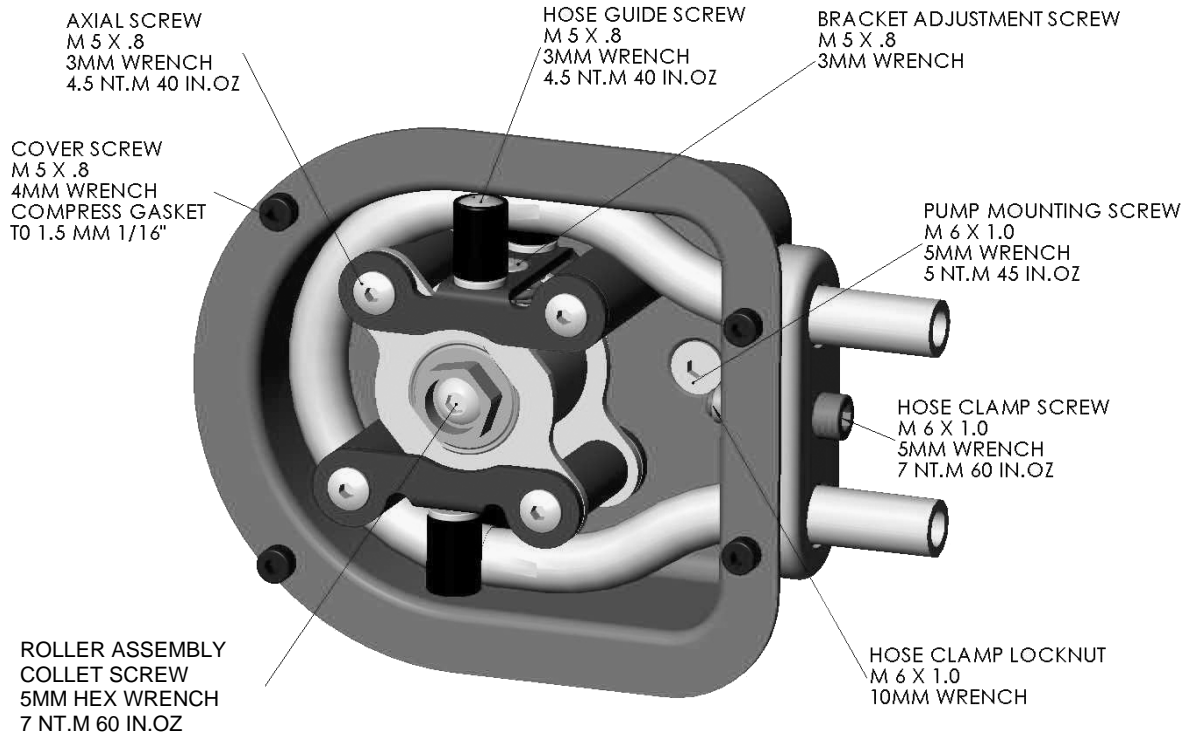
Equipment that has been contaminated with, or exposed to, body fluids, toxic chemicals or any other substance hazardous to health must be decontaminated before it is returned to Flomotion Systems or its distributor.

A certificate included at the rear of these operating instructions, or signed statement, must be attached to the outside of the shipping container.

This certificate is required even if the pump is unused. If the pump has been used, the fluids that have been in contact with the pump and the cleaning procedure must be specified along with a statement that the equipment has been decontaminated.

## 2.0 – 2001H Series Pump and Pumphead

The 2001H Series pumphead has two spring-loaded working rollers, which automatically compensate for minor variations in tubing wall thickness, giving extended tube life.



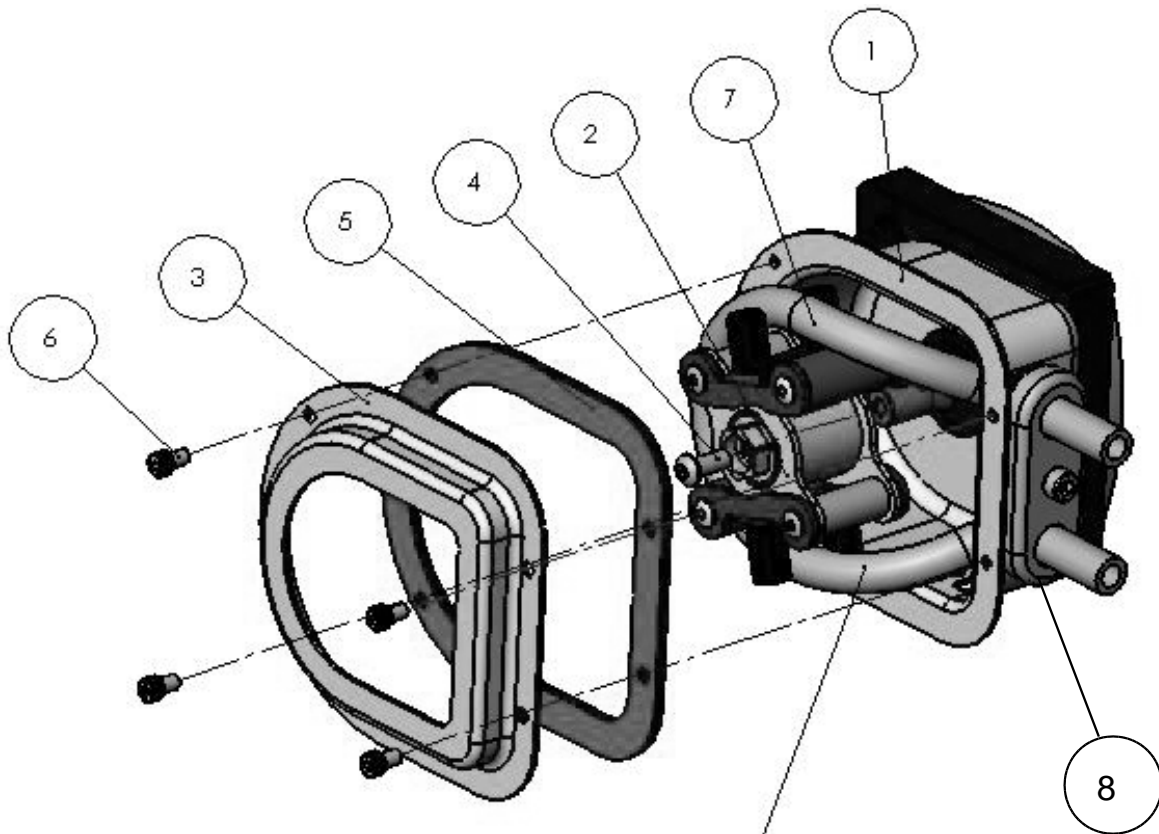
**IMPORTANT:** The 2001 Series is equipped with a pump cover for safety and protection against chemical spills. The cover must be installed whenever the pump is in use.

2.1 Tubing, Spindle and Cover Installation

**! IMPORTANT:** Disconnect pump controller from power supply BEFORE changing tubing!

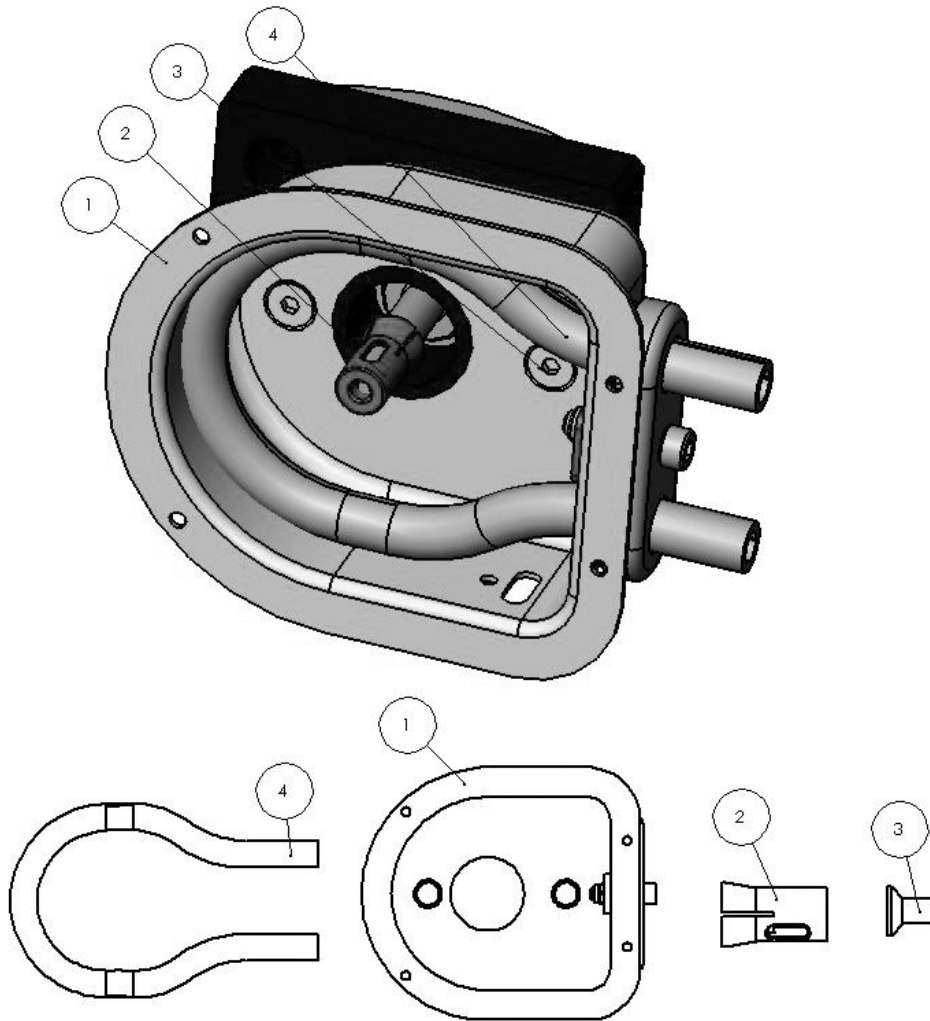
Item No.	Qty	Part No.	Description
1	1	n/a	Pump Body
2	1	100511	Roller Assembly
3	1	100304B	Cover
4	1	100324	Collet Screw
5	1	100305C	Cover Gasket
6	4	100307C	Cover Screw
7	1	varies	Tubing
8	1	Varies with tubing selection*	Tube Seal

*Tube Seal PN	100329	100330	100331	100332	100333	100334



tubing is shown bent forward out of the pump housing to illustrate the correct tubing and roller assembly position, prior to sliding the tubing and spindle into the housing and over the collet.

2.2 Mounting Pump on Gearbox, Installation of Collet



Item No.	Qty	Part No.	Description
1	1	na	Pump Housing with Tube Seal & Tube Seal Cover
2	1	100306	Collet
3	2	100312	Pump Mounting Screws
4	1	na	Tubing



### **2.3 Pump Mounting and Collet Installation Procedure**

1. To install the pump housing on the gearbox, slide it over the central pilot on the gearbox adaptor plate. Next install and torque the mounting screws to 5 NT.M (45 in. oz).
2. Next install the collet on the gearbox shaft. There is a slot in the collet that the flat drive tang on the gearbox shaft must slide into. Orient the collet to allow the drive tang to slide into the slot and push the collet completely onto the gearbox shaft. When the collet bottoms out it is in the correct position.

## 2.4 Tube and Roller Installation

***! IMPORTANT: Disconnect pump controller from power supply BEFORE changing tubing!  
! IMPORTANT Make sure pump suction and discharge lines are completely drained and isolated. Note that the tubing hose seal size must match the selected tubing size.***

### Disassembly

1. Remove four (4) 4mm pump cover screws.



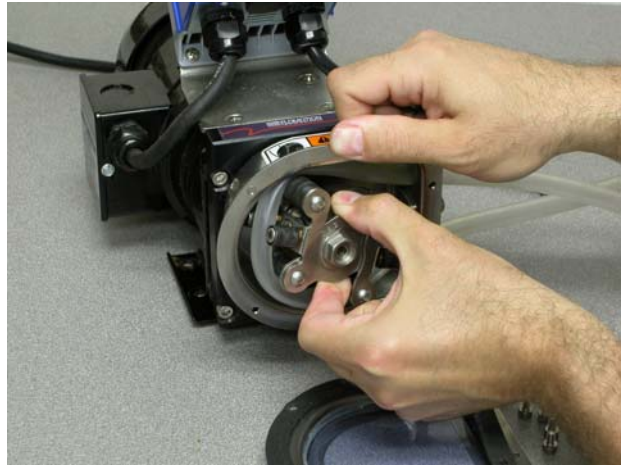
2. Loosen Tube Seal Clamp Screw with 5mm hex wrench.



3. Remove 5mm collet screw.



4. Remove the roller assembly.



5. Remove worn pump tubing from pumphead.



6. Remove and inspect collet for wear. Note that the collet may remain in the roller assembly when the roller assembly is removed from the pump shaft.



- Clean inside of pump housing with damp rag or an appropriate cleaning solution to remove any chemical or tubing residue.



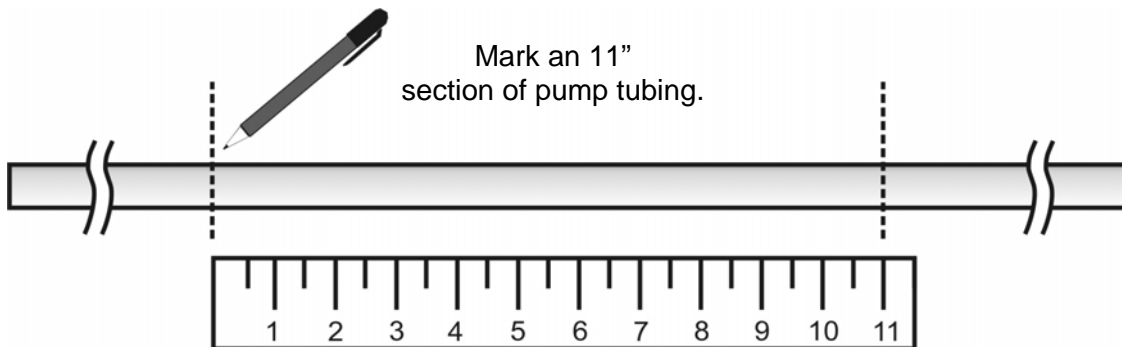
**Reassembly**

- Reinstall the collet onto the pump shaft.

There is a slot in the collet that the flat drive tang on the gearbox shaft must slide into. Orient the collet to allow the drive tang to slide into the slot and push the collet completely onto the gearbox shaft. When the collet bottoms out it is in the correct position.



- Mark an 11" section of tubing, which will be the portion, contained within the pump. Leave sufficient excess on the suction and discharge sides of the pump for the desired connections. If you leave the excess intake tubing in a coil near the pump it will make it easy to feed a new section of tubing through the rollers when the section in the pump becomes worn.





3. Install tubing into the pumphead.

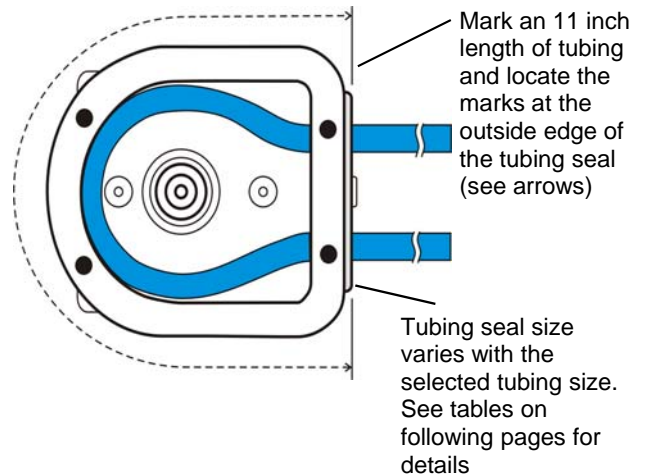
Note: during tubing installation the loop of tubing may develop a twist. Examine the tubing for this condition and if needed turn one end of the tubing where it exits the tubing clamp to eliminate the twist. Correctly adjusted the tubing loop will be flat and parallel to the front face of the pump housing.



4. Loop tubing around roller assembly between guides as shown. Remove slack in tubing while rotating roller assembly and sliding onto collet.



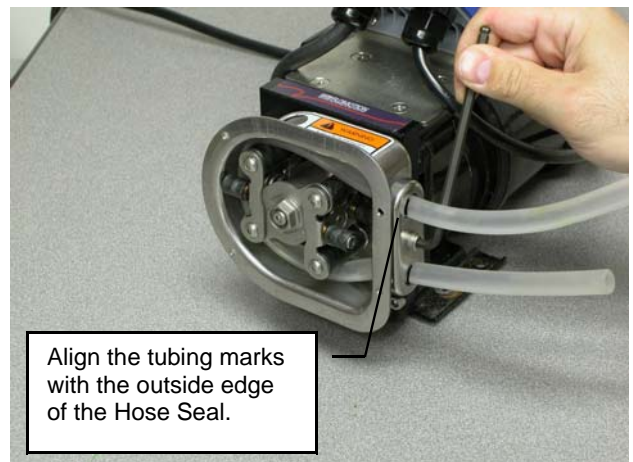
5. Align marks on tubing with outside edge of the tubing Clamp.



6. Reinstall collet screw firmly.



7. Tighten tubing seal clamp screw. Be sure to tighten firmly to prevent "tubing walk." Tubing walk can occur when the tubing seal is the wrong size or is not sufficiently tight to keep the rollers from pulling the tubing through the pump as it rotates.

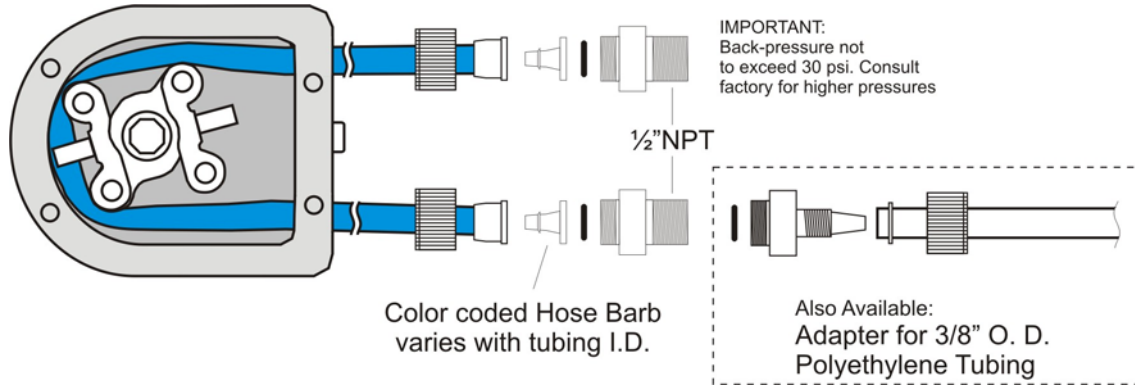


8. Inspect pump cover gasket. Replace if damaged. Reinstall pump cover gasket and cover.



**2.5 Tubing & Connections**

Tubing adapters are available for many configurations. See the drawing below for details.



2001H Series Estimated Pumping Capacity*							*Actual flow rates may vary
Tubing No.	#119	#120	#15	#24	#35 & 121	#36 & 122	
<b>Tubing Size</b>	1.6mm bore (1/16")	3.2mm bore (1/8")	4.8mm bore (3/16")	6.4mm bore (1/4")	8mm bore (5/16")	9.6mm bore (3/8")	
<b>ml/min @ 0.6-90 rpm</b>	0.27 - 41 (0.004 - 0.64 gph)	1.13 - 169 (0.02 - 2.68 gph)	2.46 - 369 (0.04 - 5.85 gph)	4.44 - 666 (0.07 - 10.56 gph)	6.60 - 990 (0.10 - 15.69 gph)	8.64 - 1296 (0.14 - 20.54 gph)	
<b>ml/min @ 1.8 - 220 rpm</b>	0.81 - 99 (0.013 - 1.57 gph)	3.38 - 414 (0.05 - 6.56 gph)	7.38 - 902 (0.12 - 14.30 gph)	13.32 - 1628 (0.21 - 25.80 gph)	19.80 - 2420 (0.31 - 38.36 gph)	25.92 - 3168 (0.41 - 50.21 gph)	
<b>ml/rev*</b>	0.45	1.88	4.1	7.4	11	14.4	
<b>Hose Barb Color</b>	Violet	Green	White	Black	Gray	Blue	
<b>Hose Seal PN</b>	100329	100330	100331	100332	100333	100334	



<i>Tubing and Accessory Part Numbers</i>					
<b>FLOPRENE TUBING - 50 Ft Length (Santoprene)</b>					
FLO.016.024	1.6mm (1/16") bore	100 PSI max	FLO.064.024	6.4mm (1/4") bore	50 PSI max
FLO.032.024	3.2mm (1/8") bore	100 PSI max	FLO.080.024	8.0mm (5/16") bore	30 PSI max
FLO.048.024	4.8mm (3/16") bore	70 PSI max	FLO.096.024	9.6mm (3/8") bore	30 PSI max
<b>CONNECTORS / ADAPTORS</b>					
1/2" NPTM x pump tubing (bore as required)					
3/8" PE tubing x pump tubing (bore as required)					
Two-piece Color Coded tubing Barb & Collar Set.					
<b>PUMPHEAD tubing SEALS</b>					
100329 tubing Seal	1.6mm (1/16") bore		100332 tubing Seal	6.4mm (1/4") bore	
100330 tubing Seal	3.2mm (1/8") bore		100333 tubing Seal	8.0mm (5/16") bore	
100331 tubing Seal	4.8mm (3/16") bore		100334 tubing Seal	9.6mm 3/8") bore	

Tube connector adapter order guide

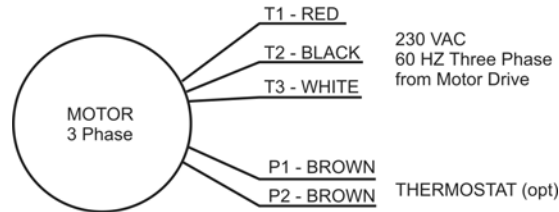
TUBING CONECTORS ONLY – Does not include hose barb and collar set.

1	2	3	4	5	6	7	8
<b>1 – 3 Process Connection Size</b>							
	038	3/8" OD - PE Tubing Only					
	050	1/2" OD – PE Tubing or 1/2" NPT					
<b>4 Process Connection Type</b>							
	T	PE Tubing					
	N	NPT					
<b>5 – 6 Pump Tubing Side</b>							
	PT	Pump Tubing Side					
<b>7 Connector Body Material of Construction</b>							
	P	PVC					
	T	PTFE (Teflon)					
	K	PVDF (Kynar)					
	X	Other					
<b>8 O-Ring Material of Construction</b>							
	V	Viton					
	E	EPDM					

## 3.0 – 2001H Motor & Gearbox

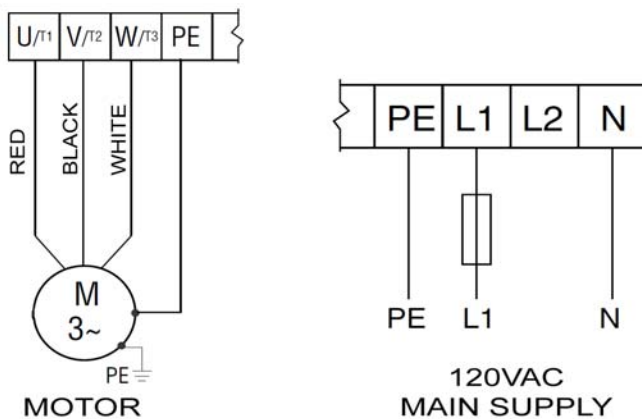
### 3.1 Motor Specifications

- Motor Type: Permanent Split Capacitor or 3-Phase Inverter Duty
- Rotation: Reversible.
- Insulation: Class B minimum
- Finish: Powder-coat gloss black.



Thermostat signal wires are not used in the 2001H

### 3.2 2001H Power & Motor Wiring



### 3.3 Gearhead Specifications

- Housing: Precision machined die cast aluminum.
- Lubrication: Lifetime oil bath, sealed and gasketed.
- Shafts: Hardened steel.
- Mounting: Face (any angle) or optional footplate.
- Gearing: AGMA class 9 heat treated steel. 1st stage helical metal, balance spur metal.
- Bearings: Needle with thrust ball.

## 4.0 – 2001H Drive Controller

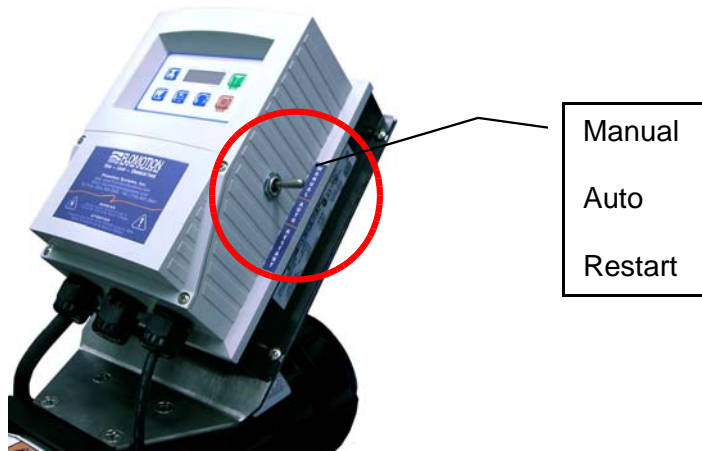
### 4.1 Operation and Wiring

For complete details about the motor drive controller please refer to the included SM Vector Operating Instructions booklet. Shown on the following pages are details specific to the operation with the 2001H Peristaltic Pump operation.

### 4.2 Programming

The programming differs from the factory defaults shown in the SM Vector Operating Instruction booklet only in relation to the following parameters:

P103	Maximum Frequency	90Hz for 90 RPM motor, 75 Hz for 220RPM motor
P104	Acceleration Time	5 sec
P105	Deceleration Time	5 sec
P121	TB-13A Input	(2) AUTO Reference 4-20mA
P161	Speed at Maximum Signal	90Hz for 90 RPM motor, 75 Hz for 220RPM motor
P162	Analog Input Filter	0.5 sec
P166	Carrier Frequency	(2) 8kHz



### 4.3 Manual Speed / Auto Speed / Restart Toggle Switch

The Auto/Manual/Restart toggle switch is located on the right side of the motor drive controller.

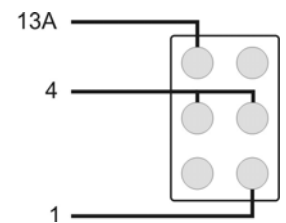
#### Manual Mode

When the switch is placed in the MANUAL (TOP) position the pump speed may be controlled by the up and down arrow keys on the controller.

#### Auto Mode

When the switch is placed in the AUTO (CENTER) position the speed is controlled by an external 4-20mA signal applied to pin 2 (-) and pin 25 (+) of the terminal block.

#### Restart Mode

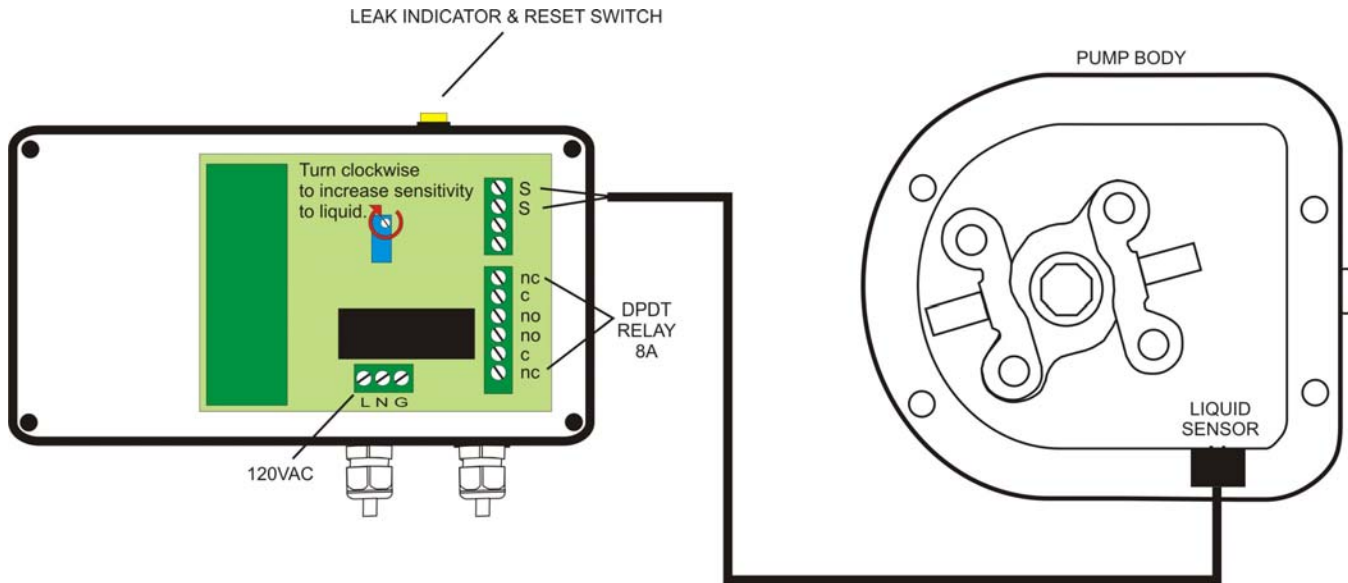


Rear View of Manual/Auto/Restart Switch showing wiring to terminal block.

When the pump is stopped by pressing the STOP button on the front panel or via a stop signal from a remote source such as a PLC or remote stop switch then you must use the Restart Toggle switch to restart the pump. Momentarily press the toggle switch down to restart the pump.

## 5.0 - 2001 Series Tubing Rupture Detector

### Rupture Detector System Overview



#### 5.1 Alarm Causes

A rupture alarm is triggered by the presence of a conductive fluid in the pump. When the fluid bridges the two stainless steel electrodes on the LIQUID SENSOR the alarm is triggered.

#### 5.2 What to do in an alarm condition

To clear the alarm, first stop the pump and disconnect power from the pump controller. Remove the pump cover and remove the ruptured pump tubing. Clean the inside of the pump with a soft rag. Remove any liquid or tubing debris from the inside of the pump and the area around the LIQUID SENSOR. Inspect rollers and clean if necessary.

#### 5.3 Resetting the alarm

Press the yellow pushbutton (LEAK INDICATOR & RESET SWITCH) on the top of the Tubing Rupture Detector to reset the alarm.

**! IMPORTANT: Resetting the Tubing Rupture Detector will cause the pump to resume turning !**  
**! ALWAYS reinstall the pump cover BEFORE resetting the tubing rupture detector !**

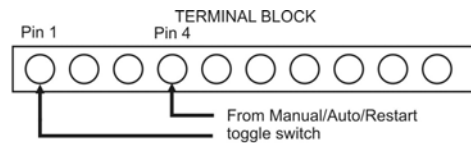
#### 5.4 Resuming Service

Install a fresh tubing insert and the pump is ready to resume service.

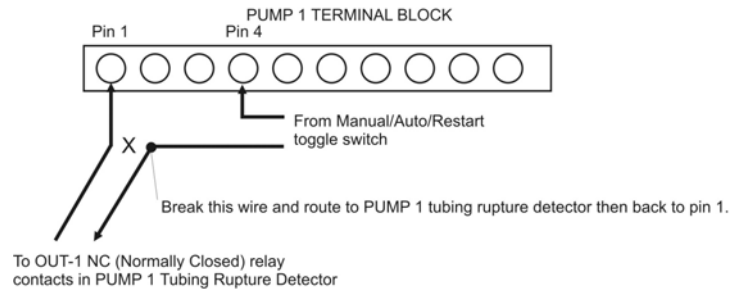
## 5.5 Interfacing to the 2001H AC TECH SMVECTOR Controller

Connect the Tubing Rupture Detector NC (normally closed) relay contacts to pin 1 of the SMVector pump controller and splice to the wire from the Manual/Auto/Restart switch as shown below.

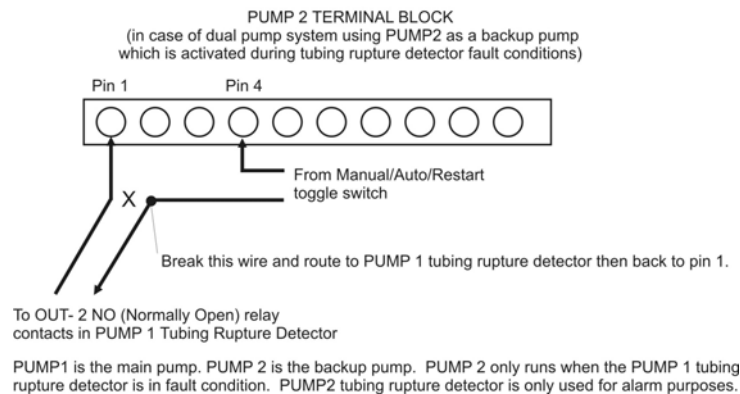
Standard Wiring:



Tubing Rupture Detector Pump Shut-off wiring:



Tubing Rupture Detector Pump Backup Switchover wiring:



Program the SMVector Pump Controller step P100, changing the value from 0 to 1.

To do this:

1. Press the M key.
2. Enter password 0225 by holding down the UP arrow key then press the M key when done.
3. P100 is shown on the display.
4. Press the M key and change the P100 value from 0 to 1 (Terminal Strip), then press the M key to save your change.

The pump is now set to run only when the Tubing Rupture Detector is not in alarm condition.

## 5.6 Calibration

Turn the sensitivity adjusting screw counter clockwise several turns. Apply a wet rag to the LIQUID SENSOR electrodes. Adjust the sensitivity clockwise slowly until the alarm trips.

*Notes*